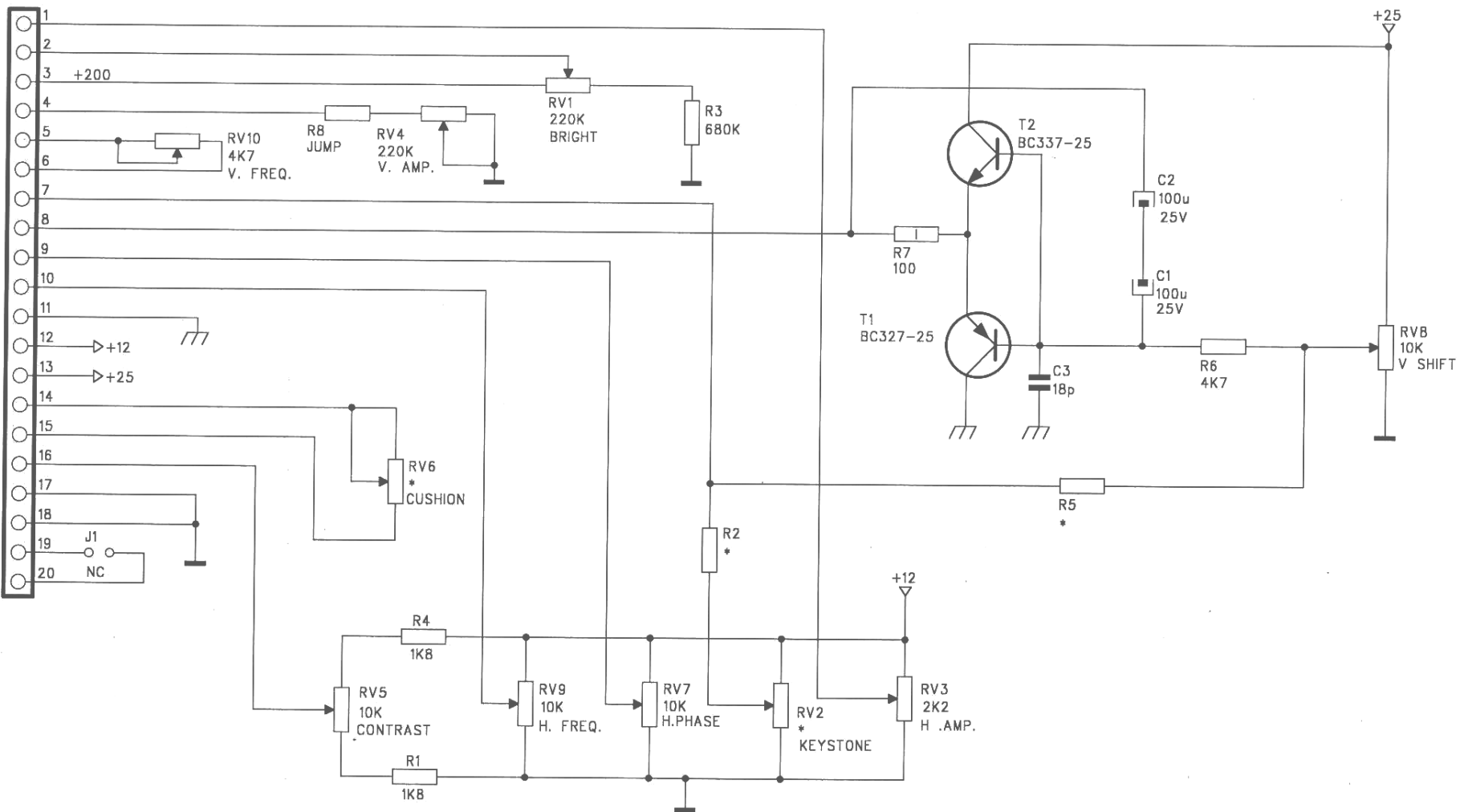
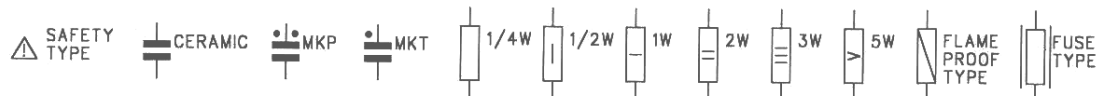


CN2
MBPH20



	14"	14"MN	17"MN	20"	21"	25"	28"	34"
R2	NC	NC	NC	NC	NC	47K	47K	47K
R5	NC	NC	NC	NC	NC	100K	100K	100K
RV2	NC	NC	NC	NC	NC	10K	10K	10K
RV6	NC	NC	NC	NC	NC	4K7	4K7	4K7

SCHEMATIC NOTES



Rev N:	Rif N:	Description:	Date:	Approved:
--------	--------	--------------	-------	-----------

Title: **CONTROLS BOARD POLO/2 15kHz & 15/25kHz**

HANTAREX
ELECTRONIC SYSTEMS
MADE BY

SAMBERS ITALIA S.p.A.

File name: HNO2-1.sch	Document number: 53892323
PCB code: 50140720	Date: 29/10/98
PCB file: HNO2.pcb	Designed: V.G.
Sheet 1 Of 1	Approved: -